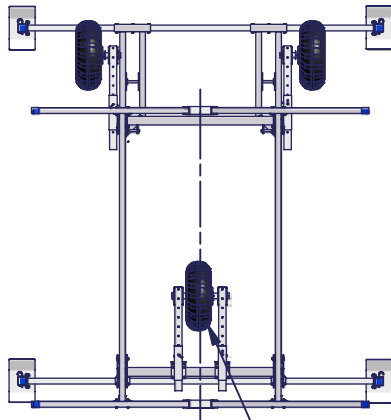
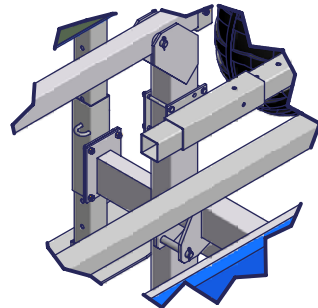
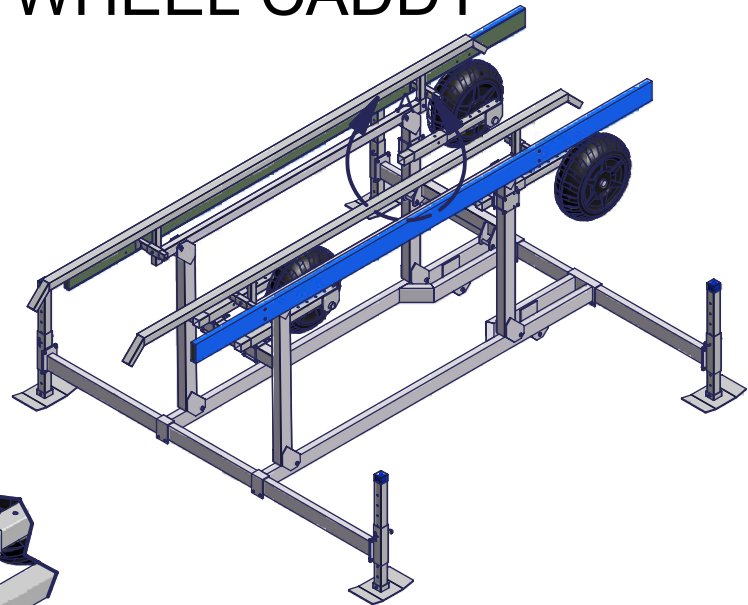


# HYDRAULIC LIFT WHEEL CADDY

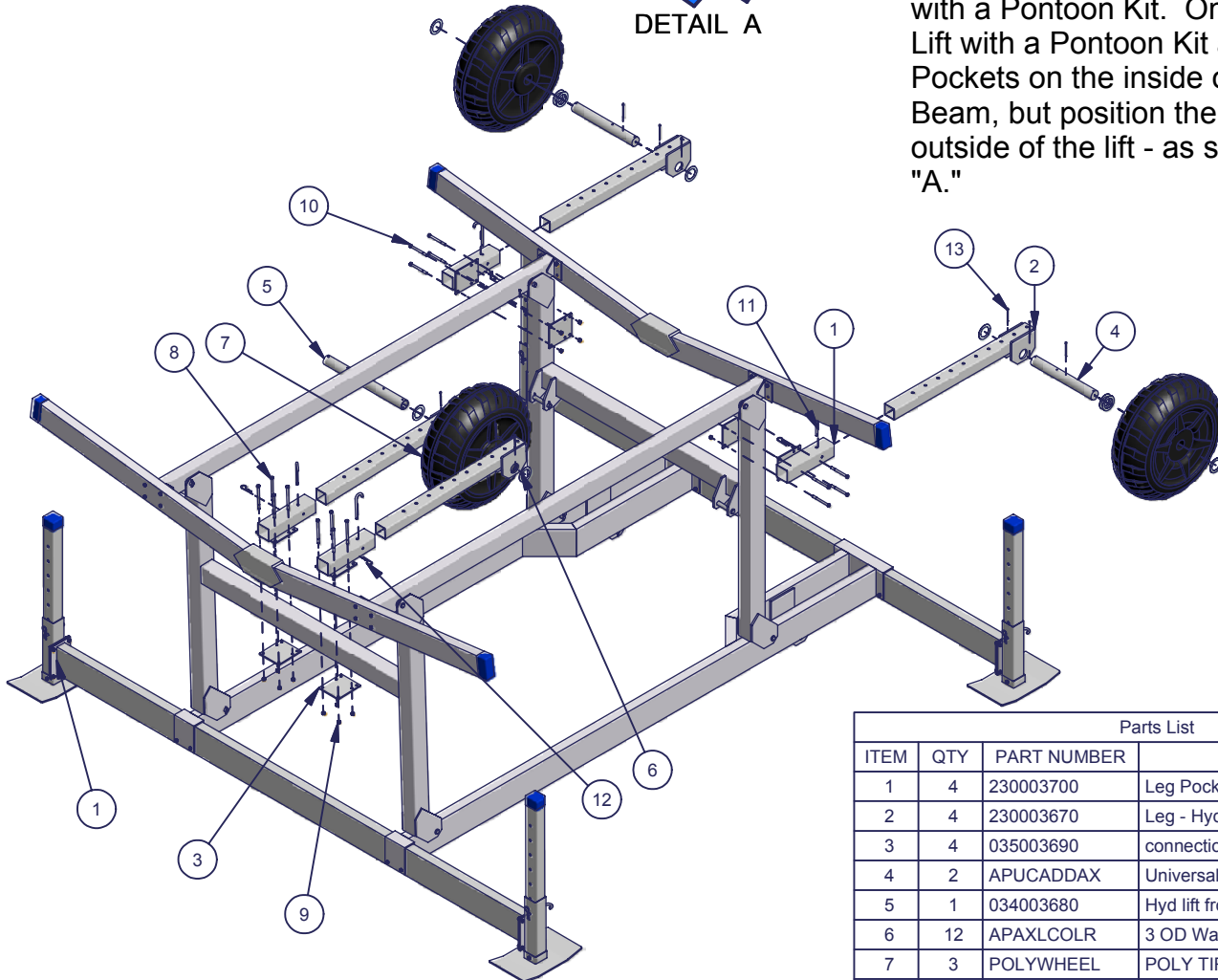


Center the Front Wheel on the I Beam



DETAIL A

Mount the Rear Wheels on the outside of the Rear I Beam (as shown below) on all Lifts except on the 3000 Hydraulic Lift with a Pontoon Kit. On a 3000 Hydraulic Lift with a Pontoon Kit attach the Leg Pockets on the inside of the Rear I Beam, but position the Wheels to the outside of the lift - as shown in Detail "A."



**Note:** 5" Bolts(Item #8) are used on the Front I Beam and 4" Bolts(Item #10) are used on the Rear I Beam - as shown above.

Parts List			
ITEM	QTY	PART NUMBER	DESCRIPTION
1	4	230003700	Leg Pocket - Hyd Wheel Caddy
2	4	230003670	Leg - Hyd lift wheel caddy
3	4	035003690	connection plate - Hyd wheel caddy
4	2	APUCADDAX	Universal Wheel Caddy Axle
5	1	034003680	Hyd lift front wheel caddy axle
6	12	APAXLCOLR	3 OD Washer
7	3	POLYWHEEL	POLY TIRE
8	8	MS380500B	BOLT 3/8 - 16 X 5 SS
9	16	B380RGNUT	NUT 3/8 - 16 BRASS
10	8	MS380400B	BOLT 3/8 - 16 X 4 SS
11	4	S3832932P	PIN 3/8 X 3 29/32 SS
12	4	LSPINCLIP	PIN HAIR #10 SS
13	10	S140212CP	COTTER PIN .25" X 2.5"