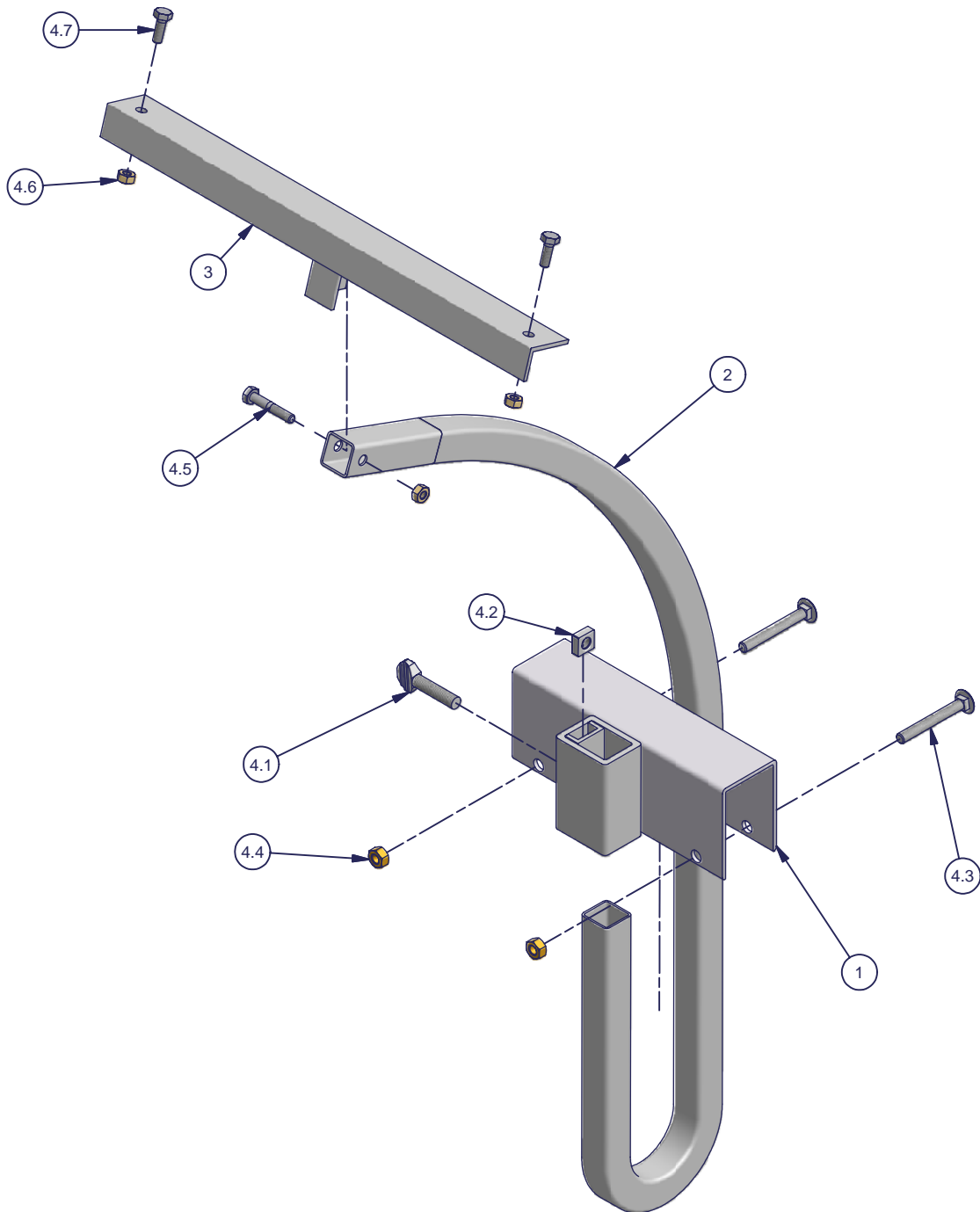


Solar Charger Canopy Mount Power Up-10W



NOTE: Carriage Bolt heads must be positions on the outside of the canopy - as shown.

Solar Charger Canopy Mount Parts List			P/N: 430017880
ITEM	QTY	PART NUMBER	DESCRIPTION
1	1	230005130	SOLAR MOUNT
2	1	230005120	SOLAR BRACKET
3	1	280017854	Solar Panel Mount - Power Up 10 Watt
4	1	500017881	BOLT BAG - SOLAR CHARGER CANOPY
4.1	1	MS380112T	BOLT THUMB 3/8 X 1.5
4.2	1	S380SQNUT	NUT SQUARE 3/8
4.3	2	CS516212B	CARRIAGE BOLT 5/16 x 2.5
4.4	2	B516RGNUT	NUT 5/16 BRASS
4.5	1	MS140112B	Bolt 1/4 x 1.5
4.6	3	B14LOCNUT	NUT 1/4 - 20 NYLOC BRASS
4.7	2	500017391	1/4" x 3/4" Hex Bolt SS